

Isothermal container ATP-IN 1000 liters

NEW

Referencia: 000569

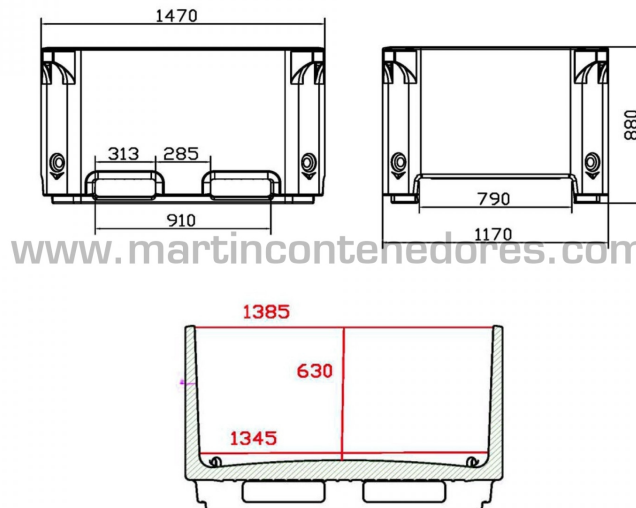
Visit our web



Length: 1470 mm
 Width: 1170 mm
 Height: 880 mm
 Internal Length: 1340 mm
 Internal Length: 1380 mm
 Internal Width: 1080 mm
 Internal Width: 1040 mm
 Working Height: 660 mm
 Working Height: 630 mm
 Empty Weight: 85 kg
 Watertight: yes
 Volume: 950 liters
 Created With: Virgin HDPE
 Alimentary certified: yes
 Color: Beige
 Homologation: ATP-IN
 Lid: included
 Lid: 22 kg
 Temperature range: -90°C
 Temperature range: +65°C

www.martincontenedores.com

ONLY FOR THE SPANISH MARKET.



www.martincontenedores.com